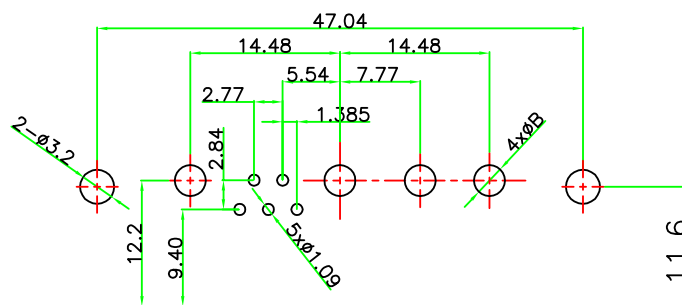
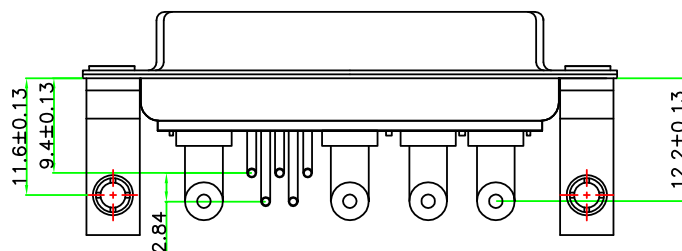
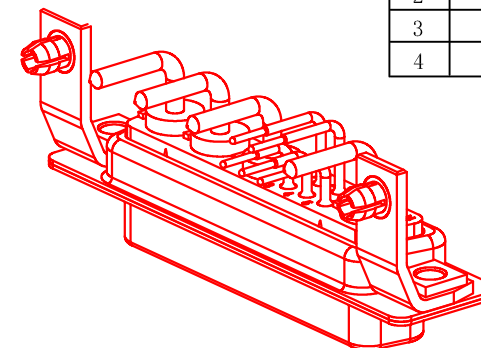
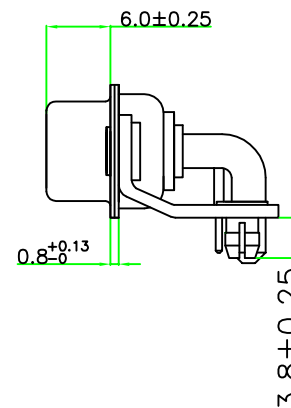
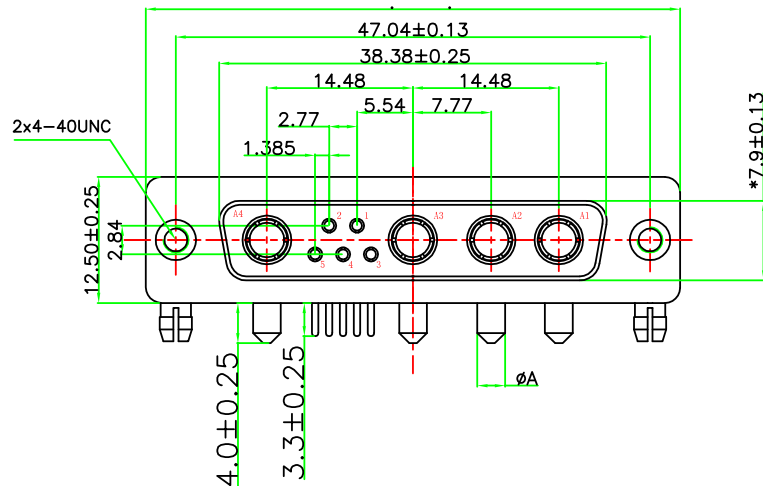


REV.	ECN. NO.	APPD.
A	WL-20-008	Jerry. Zhang

PO(X)	电流强度(A)	∅A	PCB ∅B
1	10	1.7	2.0
2	20	2.75	3.0
3	30	3.3	3.6
4	40	3.8	4.10



PCB LAYOUT

MATERIALS AND FINISH

SHELL:STEEL OR COPPER ALLOY MATERIAL, Tin/Ni OR Au FINISHED.
CONNECTOR INSULATOR:PBT THERMOPLASTIC, 30% GLASS FILLED, UL 94V-0 RATED.
HIGH POWER CONTACT :COPPER ALLOY MATERIAL, GOLD PLATED.
CONNECTOR WITH SIGNAL CONTACT MATERIAL: COPPER ALLOY , GOLD PLATED.
BRACKET:COPPER ALLOY MATERIAL, Ni PLATED.
ELECTRICAL CHARACTERISTICS
HIGH POWER CONTACT CURRENT RATING:10, 20, 30 OR 40 AMPS.
CONNECTOR WITH SIGNAL CONTACT CURRENT RATING :3.0 AMPS.
THE WORKING VOLTAGE:300V.
HIGH POWER CONTACT RESISTANCE:2.7 MILLIOHMS MAX.
DIELECTRIC WITHSTANDING VOLTAGE:1000 V AC FOR 1 MINUTE.
INSULATION RESISTANCE:2000 MEGAOHMS MIN.
TEMPERATURE RATING:-55° ~+125° .

X.±	X'.±	UNITS	mm	NAME(INTENDED USE)	
.X± 0.3	.X'±	MAT'L		9W4 母弯焊板式铆11.6支架 带螺丝 20A	
.XX± 0.20	.XX'±	SEE NOTES		PART NO.(INTENDED USE)	CLASS: <input type="checkbox"/> CONFIDENTIAL <input type="checkbox"/> SECRET <input checked="" type="checkbox"/> GENERAL
.XXX±	.XXX'±	FINISH		WL11-0401	TITLE: CONN DRAWING
<small>THESE DRAWINGS AND SPECIFICATIONS ARE THE PROPERTY OF INCEL INTERCONNECT TECHNOLOGY LIMITED, AND SHALL NOT BE REPRODUCED, COPIED OR USED IN ANY MANNER WITHOUT THE PRIOR WRITTEN CONSENT OF INCEL INTERCONNECT TECHNOLOGY LIMITED.</small>				APPD: yuan. wu 08/16~20	DWG NO.: WL11-0401-0563
				Q'TY	CHKD: lei. wang 08/16~20
				DRAW: min. sun 08/16~20	N/A 1/1 A