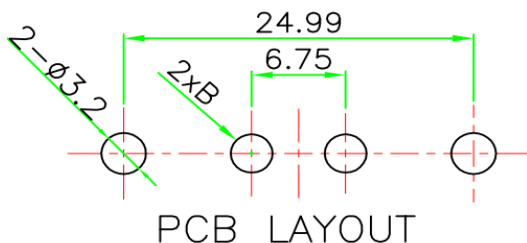
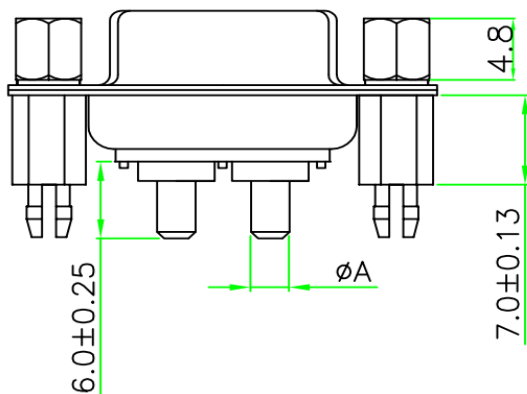
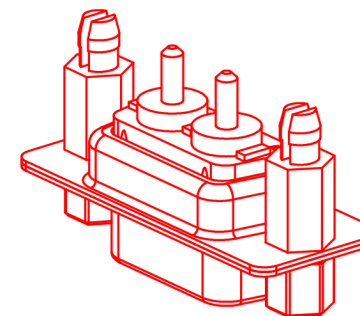
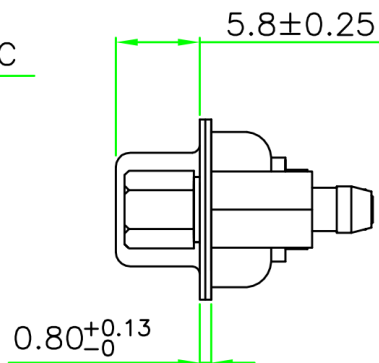
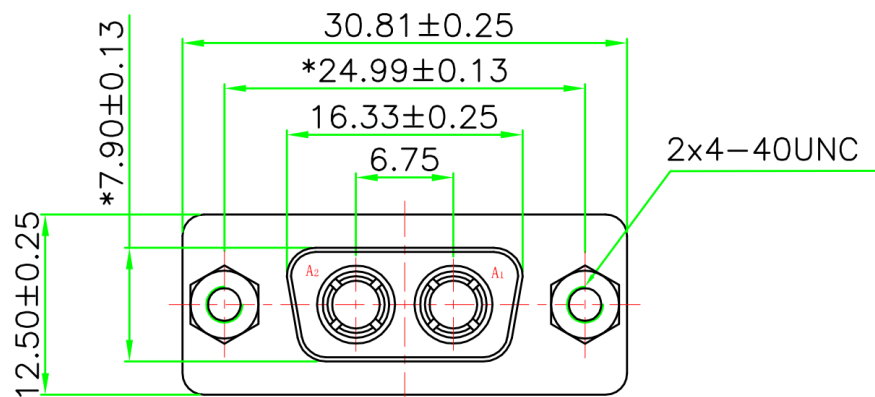


REV.	ECN. NO.	APPD.
A	WL-20-008	Jerry. Zhang

PO(X)	电流强度 (A)	φA	PCB φB
1	10	1.7	2.0
2	20	2.75	3.05
3	30	3.3	3.6
4	40	3.8	4.10



MATERIALS AND FINISH

SHELL: STEEL OR COPPER ALLOY MATERIAL, Tin/Ni OR Au FINISHED.
 CONNECTOR INSULATOR: PBT THERMOPLASTIC, 30% GLASS FILLED, UL 94V-0 RATED.
 HIGH POWER CONTACT : COPPER ALLOY MATERIAL, GOLD PLATED.
 FORK/SCREW: COPPER ALLOY MATERIAL, Ni PLATED.

ELECTRICAL CHARACTERISTICS

HIGH POWER CONTACT CURRENT RATING: 10, 20, 30 OR 40 AMPS.
 THE WORKING VOLTAGE: 300V.
 HIGH POWER CONTACT RESISTANCE: 2.7 MILLIOHMS MAX.
 DIELECTRIC WITHSTANDING VOLTAGE: 1000 V AC FOR 1 MINUTE.
 INSULATION RESISTANCE: 2000 MEGAOHMS MIN.
 TEMPERATURE RATING: -55° ~ +125° .

X.±	X.±	UNITS mm	NAME (INTENDED USE) 2#2 母 电流直焊板式 7.0 鱼叉 锁 4.8 螺丝 20A	
.X± 0.3	.X±	MAT'L	CLASS: <input type="checkbox"/> CONFIDENTIAL <input type="checkbox"/> SECRET <input checked="" type="checkbox"/> GENERAL	
.XX± 0.20	.XX±	SEE NOTES	PART NO. (INTENDED USE) WL11-0401	TITLE: CONN DRAWING
.XXX±	.XXX±	FINISH	APPD: yuan.wu 08/16"20	DWG NO.: WL11-0401-0519
THESE DRAWINGS AND SPECIFICATIONS ARE THE PROPERTY OF INCEL INTERCONNECT TECHNOLOGY LIMITED, AND SHALL NOT BE REPRODUCED, COPIED OR USED IN ANY MANNER WITHOUT THE PRIOR WRITTEN CONSENT OF INCEL INTERCONNECT TECHNOLOGY LIMITED.		Q'TY	CHKD: lei.wang 08/16"20	SCALE SHEET REV. N/A 1/1 A
			DRAW: min.sun 08/16"20	