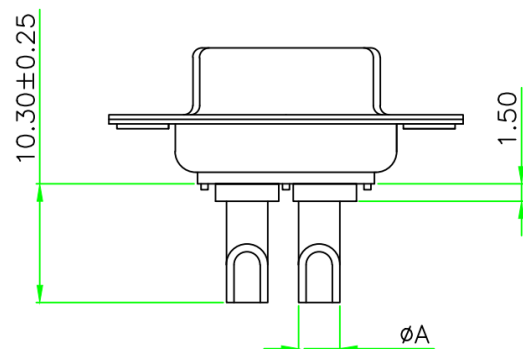
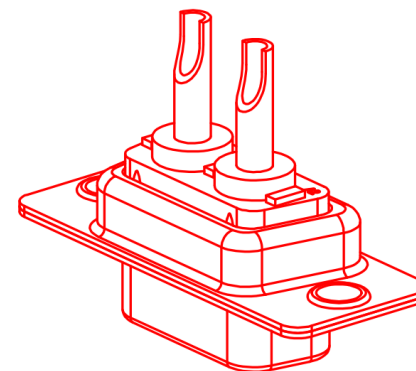
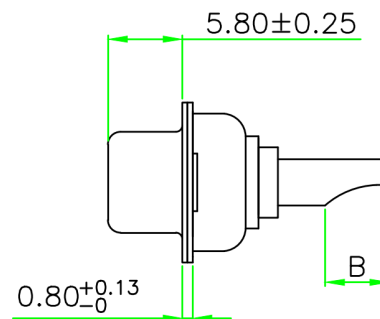
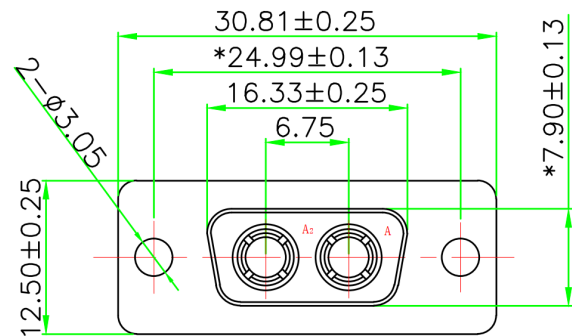


REV.	ECN. NO.	APPD.
A	WL-20-008	Jerry. Zhang

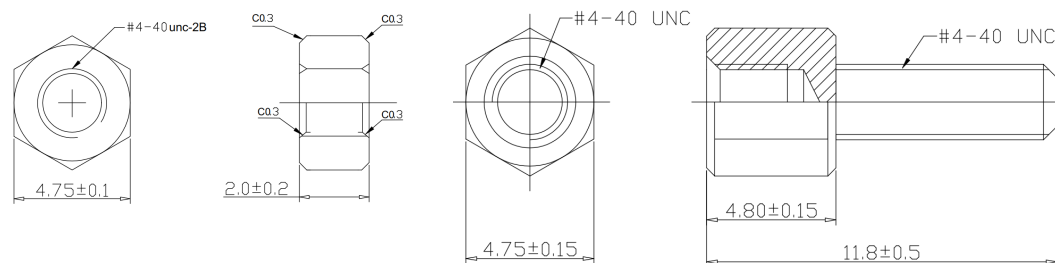


MATERIALS AND FINISH

SHELL: STEEL OR COPPER ALLOY MATERIAL, Tin/Ni OR Au FINISHED.
CONNECTOR INSULATOR: PBT THERMOPLASTIC, 30% GLASS FILLED, UL 94V-0 RATED.
HIGH POWER CONTACT : COPPER ALLOY MATERIAL, GOLD PLATED.

ELECTRICAL CHARACTERISTICS

HIGH POWER CONTACT CURRENT RATING: 10, 20, 30 OR 40 AMPS.
THE WORKING VOLTAGE: 300V.
HIGH POWER CONTACT RESISTANCE: 2.7 MILLIOHMS MAX.
DIELECTRIC WITHSTANDING VOLTAGE: 1000 V AC FOR 1 MINUTE.
INSULATION RESISTANCE: 2000 MEGAOHMS MIN.
TEMPERATURE RATING: -55° ~ +125° .



X.±	X'±	UNITS	mm	NAME (INTENDED USE) 2W2 母焊线式 传统铆合 附11.8螺丝 加2.0螺母 20A			
X±	.X'±	MAT'L	SEE NOTES			CLASS: <input type="checkbox"/> CONFIDENTIAL <input type="checkbox"/> SECRET <input checked="" type="checkbox"/> GENERAL	
.XX±	.XX'±	FINISH		PART NO. (INTENDED USE) WL11-0401	TITLE: CONN DRAWING		
.XXX±	.XXX'±	Q'TY		APPD: yuan. wu 08/16"20	DWG NO.: WL11-0401-0535		
<small>THESE DRAWINGS AND SPECIFICATIONS ARE THE PROPERTY OF INCEL INTERCONNECT TECHNOLOGY LIMITED, AND SHALL NOT BE REPRODUCED, COPIED OR USED IN ANY MANNER WITHOUT THE PRIOR WRITTEN CONSENT OF INCEL INTERCONNECT TECHNOLOGY LIMITED.</small>				CHKD: lei. wang 08/16"20	SCALE	SHEET	REV.
				DRAW: min. sun 08/16"20	N/A	1/1	A