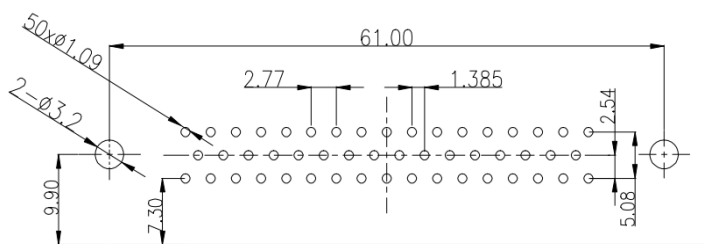
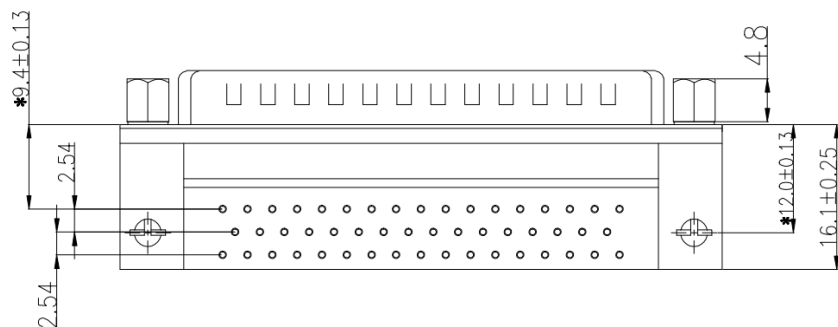
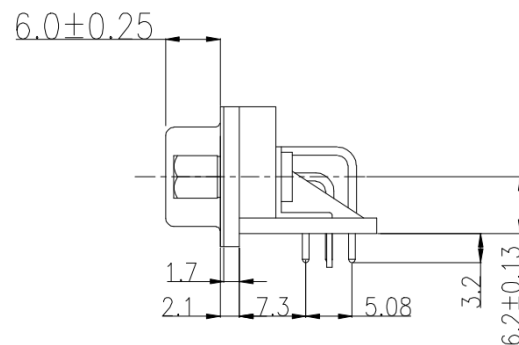
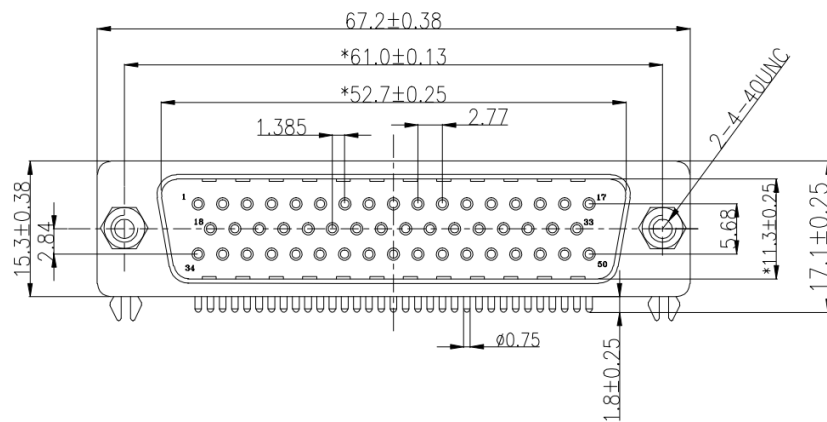


REV.	ECN. NO.	APPD.
A	WL-20-008	Jerry. Zhang



PCB LAYOUT

**NOTICE :**

**1. ELECTRIC:**

- DIELECTRIC RATING: 300V**
- CONTACT CURRENT RATING: 5AMP**
- CONTACT RESISTANCE: 15mΩ MAX.**
- INSULATION RESISTANCE: 1000MΩ MIN. at 500V DC**
- DIELECTRIC STRENGTH: 500V AC RMS for 1Minute**
- OPERATION TEMPERATURE: -55C° ~125C°**

**2. MATERIAL:**

- INSULATOR: PBT+30% G. F(UL94V-0)**
- CONTACT: COPPER ALLOY**
- CONTACT PLATED:GOLD FIASH OVER NICKEL**
- SHELL: SPCC**
- SHELLPLATED:NICKEL/TIN**
- SCREW:COPPER ALLOY/PLATED NICKEL**

IDEAS GENERATED DRAWING. DON'T CHANGE BY HAND.

X.±	X.±	UNITS mm	NAME(INTENDED USE) DR 50P 公弯焊板式铜塑胶支架锁螺丝	
.X± 0.3	.X'±	MAT'L	CLASS: <input type="checkbox"/> CONFIDENTIAL <input type="checkbox"/> SECRET <input checked="" type="checkbox"/> GENERAL	
.XX± 0.20	.XX'±	SEE NOTES	PART NO.(INTENDED USE) WL11-0401	TITLE: CONN DRAWING
.XXX±	.XXX'±	FINISH	APPD: yuan. wu 08/16~20	DWG NO.: WL11-0401-0561
<small>THESE DRAWINGS AND SPECIFICATIONS ARE THE PROPERTY OF INCEL INTERCONNECT TECHNOLOGY LIMITED, AND SHALL NOT BE REPRODUCED, COPIED OR USED IN ANY MANNER WITHOUT THE PRIOR WRITTEN CONSENT OF INCEL INTERCONNECT TECHNOLOGY LIMITED.</small>			Q'TY	CHKD: lei. wang 08/16~20
				DRAW: min. sun 08/16~20
				SCALE SHEET REV. N/A 1/1 A