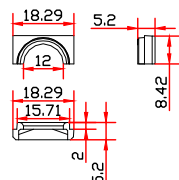
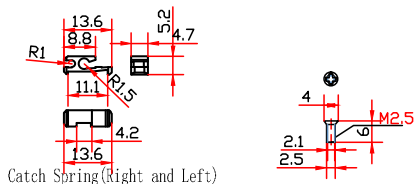
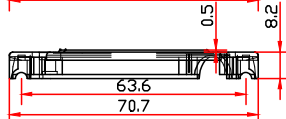
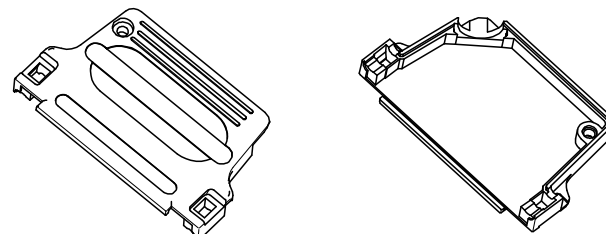
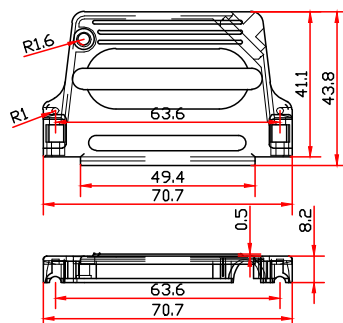
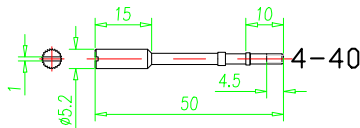
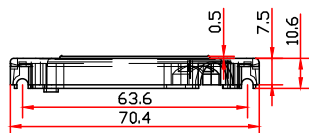
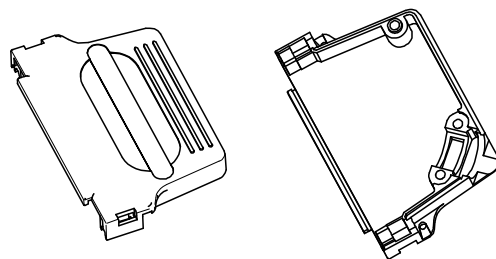
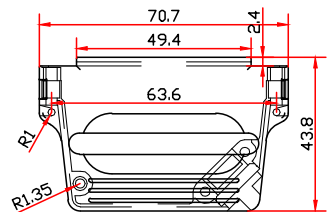
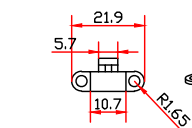


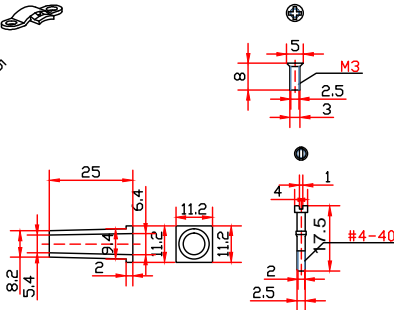
REV.	ECN. NO.	APPD.
A	WL-20-008	Jerry. Zhang



Strain Relief



Cable Clamp



项目	名称	数量	材质
1	Hoods(Lid and base)	1SET	Zinc Alloy
2	Screws For Hood	2PCS	Iron
3	Screw For Clamp	4PCS	Iron
4	Locking Screw	2PCS	Iron
5	Cable Clamp	2PCS	Zinc Alloy
6	Strain Relief	2PCS	Zinc Alloy
7	Catch Spring(Right and Left)	2PCS	ABS
8	Cable Reducation Plate	2PCS	Zinc Alloy
9	Rubber Bushing	2PCS	PVC

X.±	X.±	UNITS	mm	NAME(INTENDED USE)
.X± 0.3	.X±	MAT'L		D-Sub 37Pin 45度金属壳 短螺杆
.XX± 0.20	.XX±	SEE NOTES		PART NO.(INTENDED USE)
.XXX±	.XXX±	FINISH		WL23-5701
THESE DRAWINGS AND SPECIFICATIONS ARE THE PROPERTY OF INCEL INTERCONNECT TECHNOLOGY LIMITED, AND SHALL NOT BE REPRODUCED, COPIED OR USED IN ANY MANNER WITHOUT THE PRIOR WRITTEN CONSENT OF INCEL INTERCONNECT TECHNOLOGY LIMITED.				APPD: yuan. wu 08/16~20
				CHKD: lei. wang 08/16~20
				DRAW: min. sun 08/16~20
				DWG NO.: WL23-5701-0020
				SCALE SHEET REV.
				N/A 1/1 A

CLASS: CONFIDENTIAL SECRET GENERAL

TITLE: CONN DRAWING

DWG NO.: WL23-5701-0020