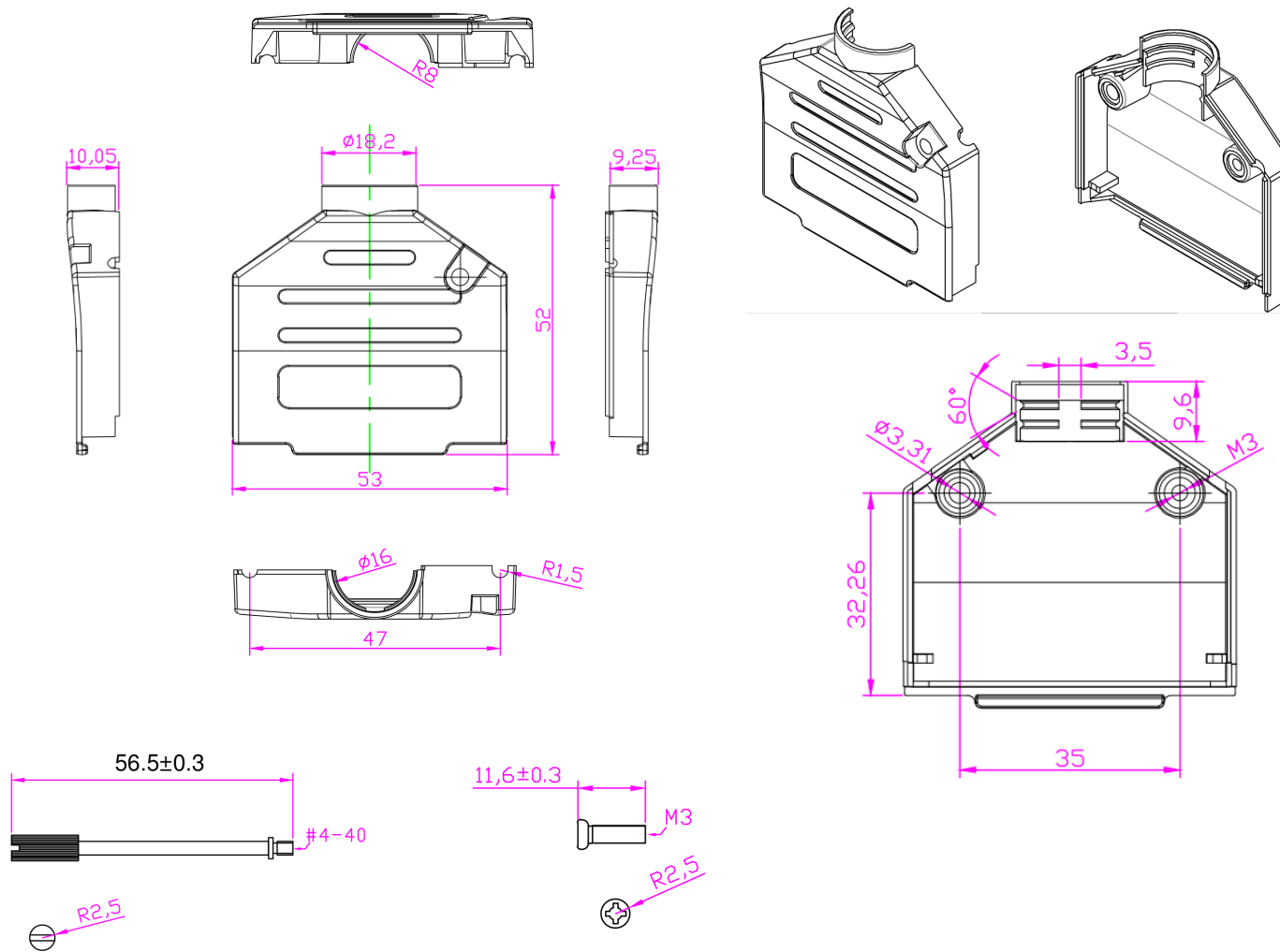


REV.	ECN. NO.	APPD.
A	WL-20-008	Jerry. Zhang



X.±	X'±	UNITS mm	NAME(INTENDED USE)	
.X± 0.3	.X'±	MAT'L	9W4 公 电 流 焊 线 式 传 统 脚 合 铁 壳 (大 空 间)	
.XX± 0.20	.XX'±	SEE NOTES	PART NO.(INTENDED USE)	CLASS: <input type="checkbox"/> CONFIDENTIAL <input type="checkbox"/> SECRET <input checked="" type="checkbox"/> GENERAL
.XXX±	.XXX'±	FINISH	WL23-5701	TITLE: CONN DRAWING
THESE DRAWINGS AND SPECIFICATIONS ARE THE PROPERTY OF INCEL INTERCONNECT TECHNOLOGY LIMITED, AND SHALL NOT BE REPRODUCED, COPIED OR USED IN ANY MANNER WITHOUT THE PRIOR WRITTEN CONSENT OF INCEL INTERCONNECT TECHNOLOGY LIMITED.			APPD: yuan. wu 08/16~20	DWG NO.: WL23-5701-1032
			Q'TY	CHKD: lei. wang 08/16~20
			DRAW: min. sun 08/16~20	N/A 1/1 A

IDEAS GENERATED DRAWING. DON'T CHANGE BY HAND.