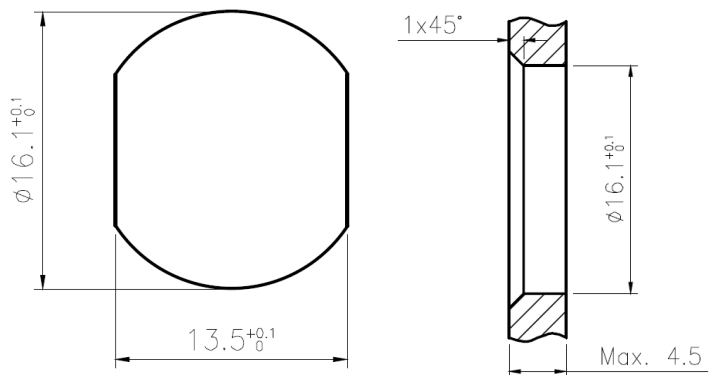
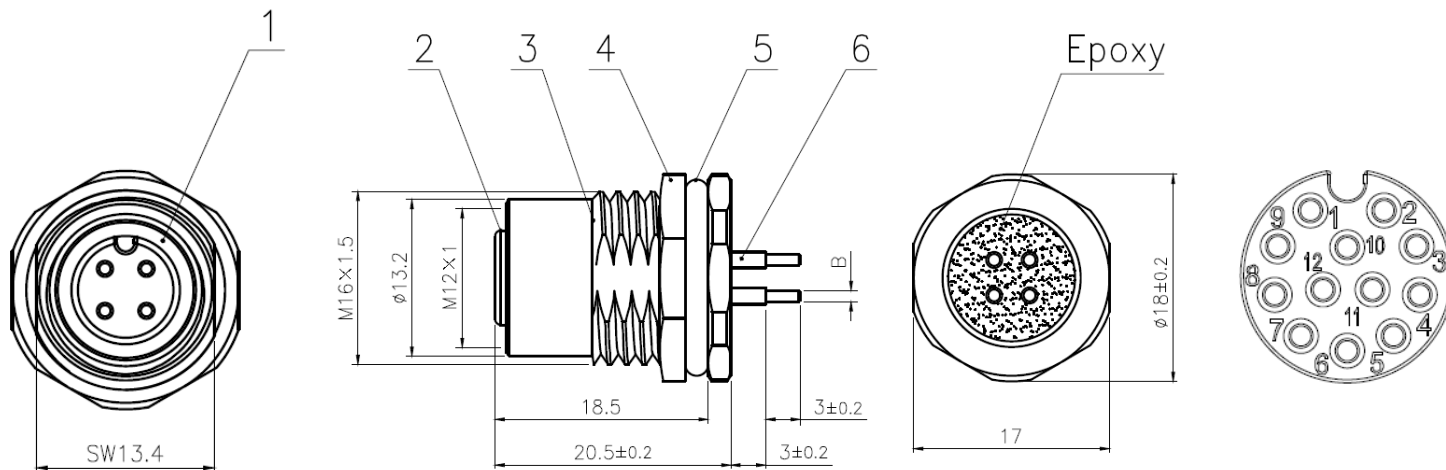


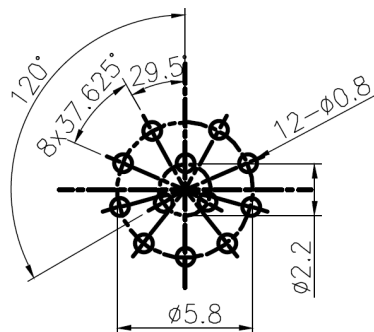
技术参数

芯数	2	3	4	4D	5	5B	6	8	12	17
额定电流/电压	4A/250V	4A/250V	4A/250V	4A/250V	4A/60V	4A/60V	2A/30V	2A/30V	1.5A/30V	1.5A/30V
额定脉冲电压	2500V	2500V	2500V	2500V	1500V	1500V	800V	800V	800V	800V
绝缘电阻 (MΩ)	≥100	≥100	≥100	≥100	≥100	≥100	≥100	≥100	≥100	≥100
接触电阻 (mΩ)	≤5	≤5	≤5	≤5	≤5	≤5	≤5	≤5	≤5	≤5

REV.	ECN. NO.	APPD.
A	WL-20-008	Jerry. Zhang



面板开孔尺寸



B 过板插针孔径尺寸:
 2~5P: $\phi 1\text{mm}$
 6~17P: $\phi 0.6\text{mm}$

X.±	X.±	UNITS	NAME(INTENDED USE)							
.X± 0.3	.X±	mm	M12 12P A-CODING 母端直PCB板式 前锁							
.XX± 0.20	.XX±	SEE NOTES	PART NO.(INTENDED USE)	CLASS: <input type="checkbox"/> CONFIDENTIAL <input type="checkbox"/> SECRET <input checked="" type="checkbox"/> GENERAL						
.XXX±	.XXX±	FINISH	WL12-7201	TITLE: CONN DRAWING						
THESE DRAWINGS AND SPECIFICATIONS ARE THE PROPERTY OF INCEL INTERCONNECT TECHNOLOGY LIMITED, AND SHALL NOT BE REPRODUCED, COPIED OR USED IN ANY MANNER WITHOUT THE PRIOR WRITTEN CONSENT OF INCEL INTERCONNECT TECHNOLOGY LIMITED.			APPD: yuan. wu 08/16~20	DWG NO.: WL12-7201-0042						
Q'TY			CHKD: lei. wang 08/16~20	<table border="1"> <tr> <th>SCALE</th> <th>SHEET</th> <th>REV.</th> </tr> <tr> <td>N/A</td> <td>1/1</td> <td>A</td> </tr> </table>	SCALE	SHEET	REV.	N/A	1/1	A
SCALE	SHEET	REV.								
N/A	1/1	A								
DRAW: min. sun 08/16~20										