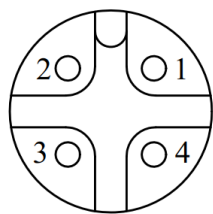
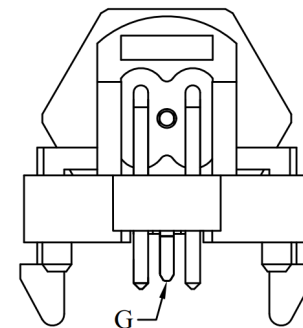
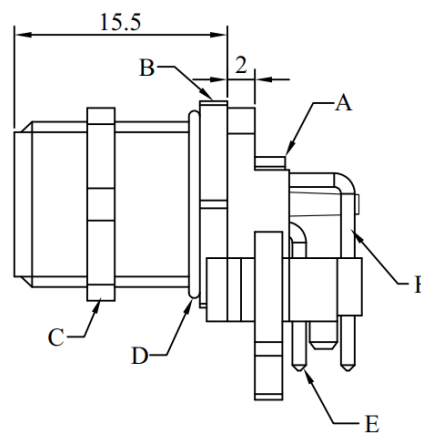
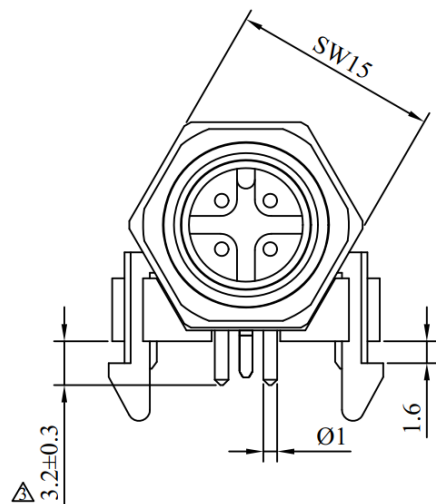
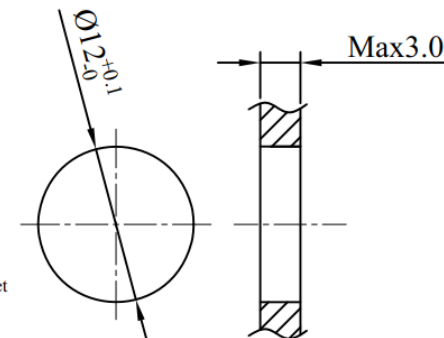
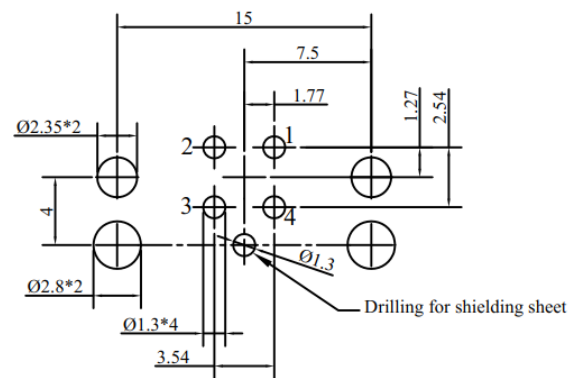
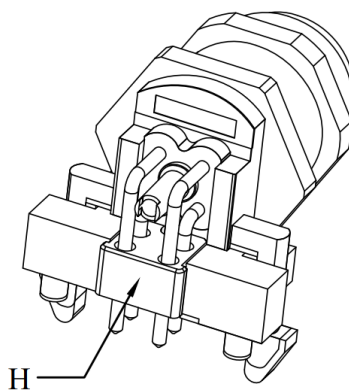


| REV. | ECN. NO. | APPD. |
|------|-----------|--------------|
| A | WL-20-008 | Jerry. Zhang |



View from front



Recommended PCB layout and panel cut-out

| | | | | | |
|-----|---------------|---|-------------|------|-----|
| H | Sleeve | Protective sleeve | pcs | 1 | |
| G | Terminal | Earth Pin terminal | pcs | 1 | |
| F | Terminal | M12 male terminal for Pin1 and Pin2 ,brass with gold plated | pcs | 2 | |
| E | Terminal | M12 male terminal for Pin3 and Pin4 ,brass with gold plated | pcs | 2 | |
| D | Ring | Black rubber O-ring | pcs | 1 | |
| C | Nut | SW14 M12 nut,brass with nickel plated | pcs | 1 | |
| B | Screw | SW15 M12 screw,brass with nickel plated | pcs | 1 | |
| A | Housing | M12 4P A-code black housing | pcs | 1 | |
| 编号 | 料号 | 品名 | 材料规格 | 单位 | 用量 |
| No. | Materials No. | Name | Description | Unit | Qty |

IDEAS GENERATED DRAWING. DON'T CHANGE BY HAND.

| | | | | | |
|---|-------|-----------|----|-------------------------------------|---|
| .x.± | .x.± | UNITS | mm | NAME(INTENDED USE) | |
| .xx± 0.3 | .xx± | MAT'L | | M12 4P A-CODING 公弯头屏蔽型面板式PCB型连接器 前锁 | |
| .xxx± 0.20 | .xxx± | SEE NOTES | | PART NO.(INTENDED USE) | CLASS: <input type="checkbox"/> CONFIDENTIAL <input type="checkbox"/> SECRET <input checked="" type="checkbox"/> GENERAL |
| .xxx± | .xxx± | FINISH | | WL12-0301 | TITLE: CONN DRAWING |
| THESE DRAWINGS AND SPECIFICATIONS ARE THE PROPERTY OF INCEL INTERCONNECT TECHNOLOGY LIMITED,AND SHALL NOT BE REPRODUCED, COPIED OR USED IN ANY MANNER WITHOUT THE PRIOR WRITTEN CONSENT OF INCEL INTERCONNECT TECHNOLOGY LIMITED. | | | | APPD: yuan. wu 08/16~20 | DWG NO.: WL12-0301-0015 |
| Q'TY | | | | CHKD: lei.wang 08/16~20 | SCALE SHEET REV. |
| | | | | DRAW: min.sun 08/16~20 | N/A 1/1 A |