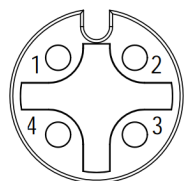
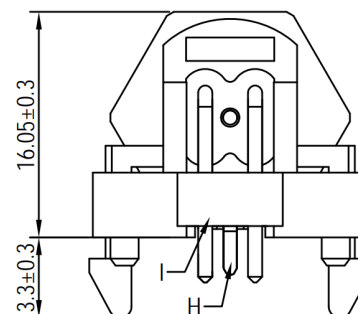
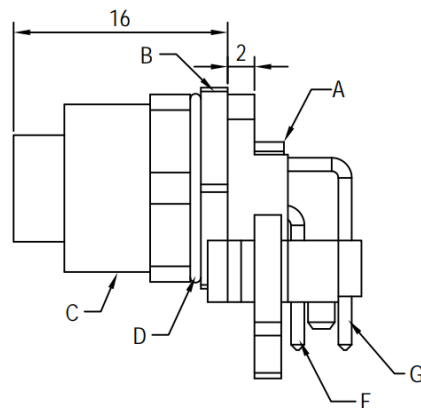
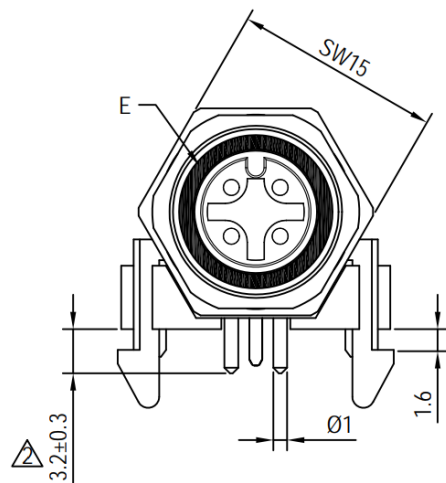
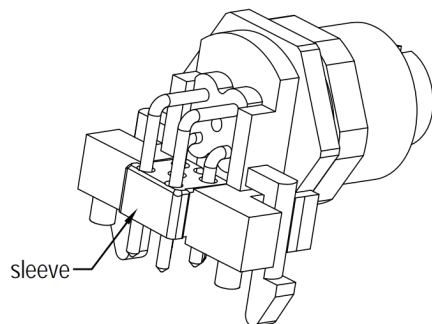


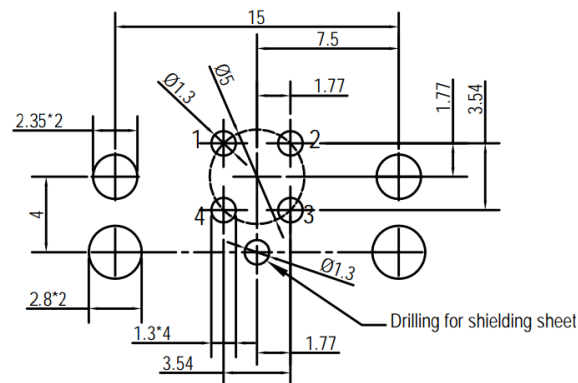
REV.	ECN. NO.	APPD.
A	WL-20-008	Jerry. Zhang



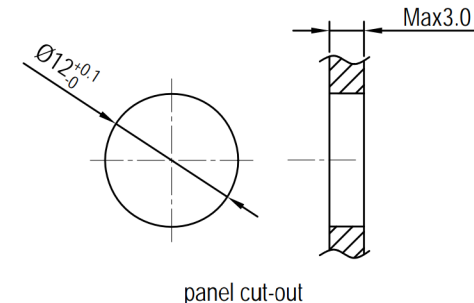
View from front



sleeve



Recommended PCB layout



panel cut-out

Code	Material No.	Name	Description	Unit	Qty
I		Sleeve	Protective sleeve	pcs	1
H		Terminal	Earth Pin terminal	pcs	1
G		Terminal	M12 female terminal for Pin1 and Pin2 ,brass with gold plated	pcs	2
F		Terminal	M12 female terminal for Pin3 and Pin4 ,brass with gold plated	pcs	2
E		Ring	Black rubber O-ring	pcs	1
D		Ring	Black rubber O-ring	pcs	1
C		Nut	SW14 M12 nut,brass with nickel plated	pcs	1
B		Screw	SW15 M12 screw,brass with nickel plated	pcs	1
A		Housing	M12 4P A-code black female housing	pcs	1

编号	料号	品名	材料规格	单位	用量
No.	Materials No.	Name	Description	Unit	Qty

IDEAS GENERATED DRAWING. DON'T CHANGE BY HAND.

X.±	X.±	UNITS	mm	NAME(INTENDED USE)	
.X± 0.3	.X±	MAT'L		M12 4P A-CODING 母弯头屏蔽型面板式PCB型连接器 前锁	
.XX± 0.20	.XX±	SEE NOTES		PART NO.(INTENDED USE)	CLASS: <input type="checkbox"/> CONFIDENTIAL <input type="checkbox"/> SECRET <input checked="" type="checkbox"/> GENERAL
.XXX±	.XXX±	FINISH		WL12-0301	TITLE: CONN DRAWING
THESE DRAWINGS AND SPECIFICATIONS ARE THE PROPERTY OF INCEL INTERCONNECT TECHNOLOGY LIMITED, AND SHALL NOT BE REPRODUCED, COPIED OR USED IN ANY MANNER WITHOUT THE PRIOR WRITTEN CONSENT OF INCEL INTERCONNECT TECHNOLOGY LIMITED.				APPD: yuan. wu 08/16~20	DWG NO.: WL12-0301-0016
Q'TY				CHKD: lei. wang 08/16~20	SCALE SHEET REV.
				DRAW: min. sun 08/16~20	N/A 1/1 A