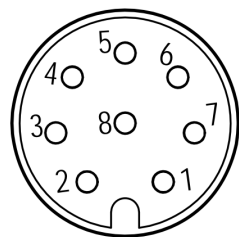
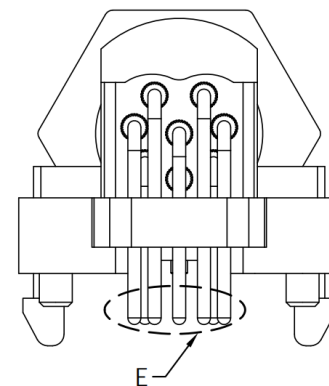
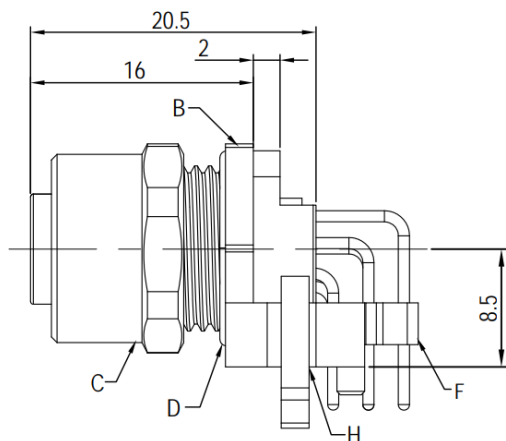
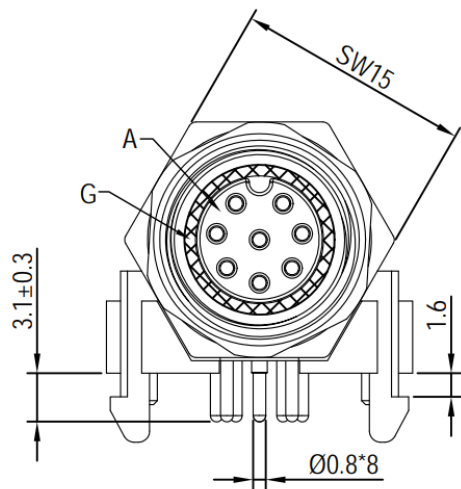
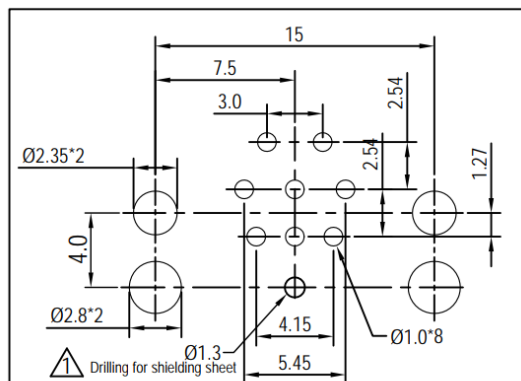


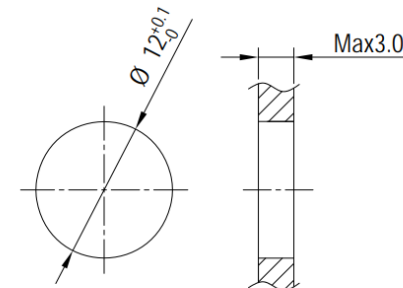
REV.	ECN. NO.	APPD.
A	WL-20-008	Jerry. Zhang



Pin assignment



Recommended PCB layout



panel cut-out

H	Terminal	Earth Pin terminal	pcs	1	
G	Ring	Black rubber ring	pcs	1	
F	Sleeve	Sleeve for terminal	pcs	1	
E	Ter.	Female termianl with gold plating	pcs	8	
D	Ring	Black rubber O-ring	pcs	1	
C	Nut	M12 nut, brass with nickle plating	pcs	1	
B	Screw	SW15 M12 screw, brass with nickle plating	pcs	1	
A	Hous.	M12 8P A-code balck female housing	pcs	1	
编号 No.	料号 Materials.No	品名 Name	材料/规格 Description	单位 Unit	用量 Qty

IDEAS GENERATED DRAWING. DON'T CHANGE BY HAND.

X.±	X.±	UNITS	mm	NAME(INTENDED USE)	
.XX± 0.3	.X'±	MAT'L		M12 8P A-CODING 母弯头屏蔽型面板式PCB型连接器 前锁	
.XX± 0.20	.XX'±	SEE NOTES		PART NO.(INTENDED USE)	CLASS: <input type="checkbox"/> CONFIDENTIAL <input type="checkbox"/> SECRET <input checked="" type="checkbox"/> GENERAL
.XXX±	.XXX'±	FINISH		WL12-0301	TITLE: CONN DRAWING
THESE DRAWINGS AND SPECIFICATIONS ARE THE PROPERTY OF INCEL INTERCONNECT TECHNOLOGY LIMITED, AND SHALL NOT BE REPRODUCED, COPIED OR USED IN ANY MANNER WITHOUT THE PRIOR WRITTEN CONSENT OF INCEL INTERCONNECT TECHNOLOGY LIMITED.				APPD: yuan. wu 08/16~20	DWG NO.: WL12-0301-0012
Q'TY				CHKD: lei. wang 08/16~20	SCALE SHEET REV.
				DRAW: min. sun 08/16~20	N/A 1/1 A