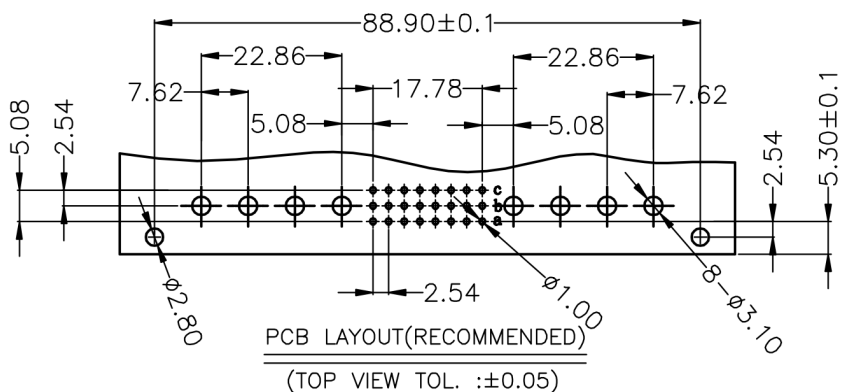
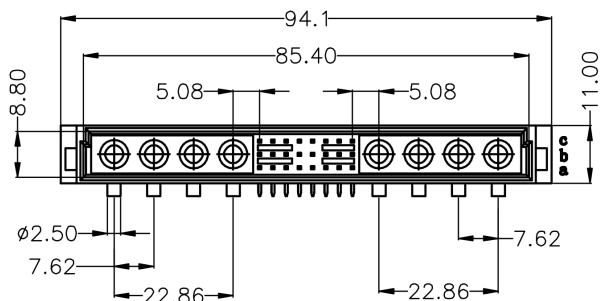
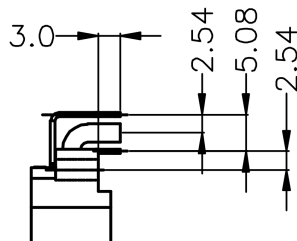
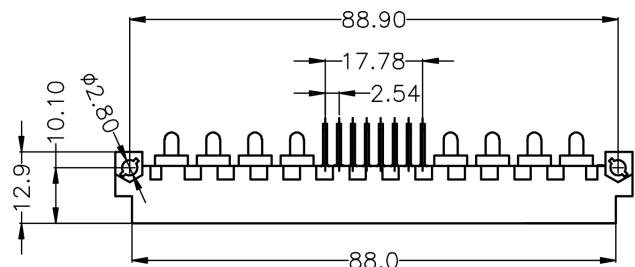


REV.	ECN. NO.	APPD.
A	WL-20-008	Jerry. Zhang



SPECIFICATION

MATERIAL

Housing:PBT+30%G. F UL94V-0

Contacts:Brass

CONTACT PLATING

G=GOLD FLASH PLATED ALL OVER, Ni UNDER PLATED ALL OVER.

T=TIN PLATED ALL OVER, Ni UNDER PLATED ALL OVER.

S=GOLD FLASH PLATED ON CONTACT AREA, TIN PLATED ON SOLDER TAIL, Ni UNDER PLATED ALL OVER.

ELECTRICAL

Current rating: 2 Amps .

Power Contacts: 30A-40Amps

Contact resistance: 20 mΩ initial

Insulation resistance: 1000 MΩ min @ 500 VDC

Dielectric withstanding voltage: 1000 VAC / minute

Dielectric withstanding voltage(Power Contacts): 1500 VAC /

Operating temperature: -40° C TO +105° C

X.±	X'.±	UNITS mm	NAME(INTENDED USE) 欧式大电流8+24	
.X± 0.3	.X'±	MAT'L	PART NO.(INTENDED USE)	
.XX± 0.20	.XX'±	SEE NOTES	WL17-1601	CLASS: <input type="checkbox"/> CONFIDENTIAL <input type="checkbox"/> SECRET <input checked="" type="checkbox"/> GENERAL
.XXX±	.XXX'±	FINISH	APPD: yuan. wu 08/16~20	TITLE: CONN DRAWING
THESE DRAWINGS AND SPECIFICATIONS ARE THE PROPERTY OF INCEL INTERCONNECT TECHNOLOGY LIMITED, AND SHALL NOT BE REPRODUCED, COPIED OR USED IN ANY MANNER WITHOUT THE PRIOR WRITTEN CONSENT OF INCEL INTERCONNECT TECHNOLOGY LIMITED.			Q'TY	DWG NO.: WL17-1601-0009
			CHKD: lei. wang 08/16~20	SCALE SHEET REV. N/A 1/1 A
			DRAW: min. sun 08/16~20	